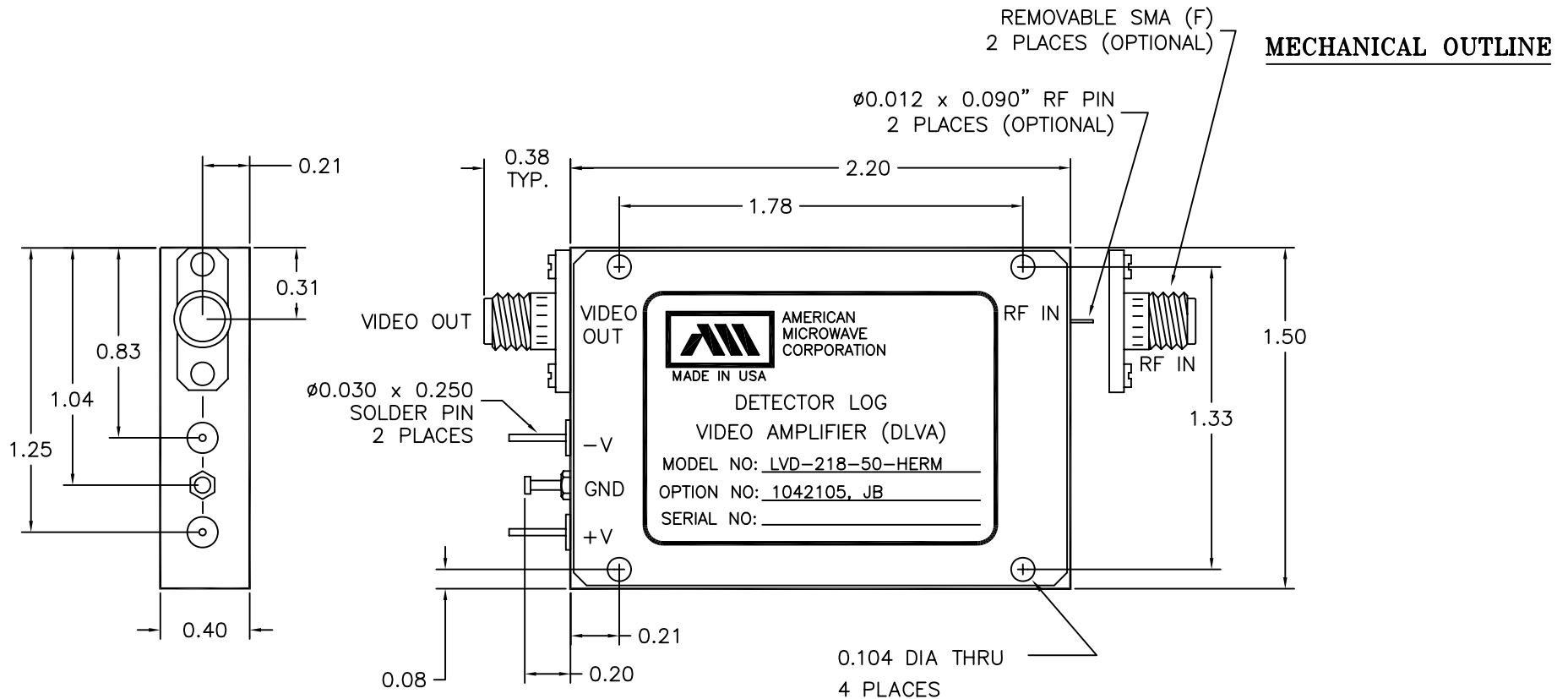


DESCRIPTION

AMC MODEL LVD-218-50-HERM OPTIONS: 1042105, JB IS A HERMETICALLY SEALED 50 dB DETECTOR LOG VIDEO AMPLIFIER DESIGNED FOR USE OVER THE FULL 1.4 TO 21.5 GHz FREQUENCY RANGE WITH TRUE DC COUPLING.

REVISIONS				
ZONE	REV.	DESCRIPTION	DATE	APPROVED
	-	ORIGINAL RELEASE JOB# D602044PE	5/3/06	



MECHANICAL OUTLINE

AMERICAN MICROWAVE CORPORATION

7311-G GROVE ROAD
 FREDERICK, MARYLAND 21704 USA
 TEL: 301-662-4700 FAX: 301-662-4938
 WEBSITE: www.americanmicrowavecorp.com
 E-MAIL: sales@americanmicrowavecorp.com
 ISO 9001:2000 CERTIFIED



ALL DIMENSIONS ARE IN INCHES
 TOLERANCES:
 X.XX ±0.020
 X.XXX ±0.010

APPROVALS		DATE	TITLE			
DRAWN	<i>JDJ</i>	5/3/06	MECHANICAL OUTLINE LVD-218-50-HERM OPTION: 1042105, JB 1.4-21.5 GHz DETECTOR LOG VIDEO AMPLIFIER			
CHECKED	<i>RA</i>	4/2/07	SIZE	FSCM NO.	DWG NO.	REV.
ISSUED			A	60483	100-7644	-
			SCALE	N:S	SHEET	2 OF 3

DESCRIPTION

AMC MODEL LVD-218-50-HERM OPTIONS: 1042105, JB IS A HERMETICALLY SEALED 50 dB DETECTOR LOG VIDEO AMPLIFIER DESIGNED FOR USE OVER THE FULL 1.4 TO 21.5 GHz FREQUENCY RANGE WITH TRUE DC COUPLING.

SPECIFICATIONS

- FREQUENCY RANGE: 1.4 TO 21.5 GHz
- FREQUENCY FLATNESS
 - @ -23 dBm: ± 1.5 dB MAXIMUM
- LOGGING RANGE: -40 TO 3 dBm MINIMUM
- USEFUL RANGE: -40 TO +5 dBm
- LOG LINEARITY
 - 0 TO -40 dBm: ± 1.0 dB MAXIMUM
- LOG SLOPE: 50 mV/dB ±10%
- OUTPUT LEVEL STABILITY: ± 0.75 dB MAXIMUM (0°C TO +85°C)
- PULSE RESPONSE: 50 nSec TO CW
- RISE TIME @ TSS +10 dB: 20 nSec MAXIMUM
- RECOVERY TIME TO WITHIN ± 1 dB OF BASELINE: 250 nSec MAXIMUM
- TSS: -40 dBm MINIMUM
- VSWR (RF): 3.0:1 MAXIMUM
- VIDEO LOAD: 100 OHMS
- DC POWER (NO LOAD)
 - +V: 8 TO 9 V @ 95 mA MAXIMUM
 - -V: 8 TO 9 V @ 60 mA MAXIMUM
- SIZE: 2.2" x 1.5" x 0.4"

OPTIONS:

- 1042105: 1.4 TO 21.5 GHz FREQUENCY RANGE
- JB: 8 TO 9 VOLTS SUPPLY

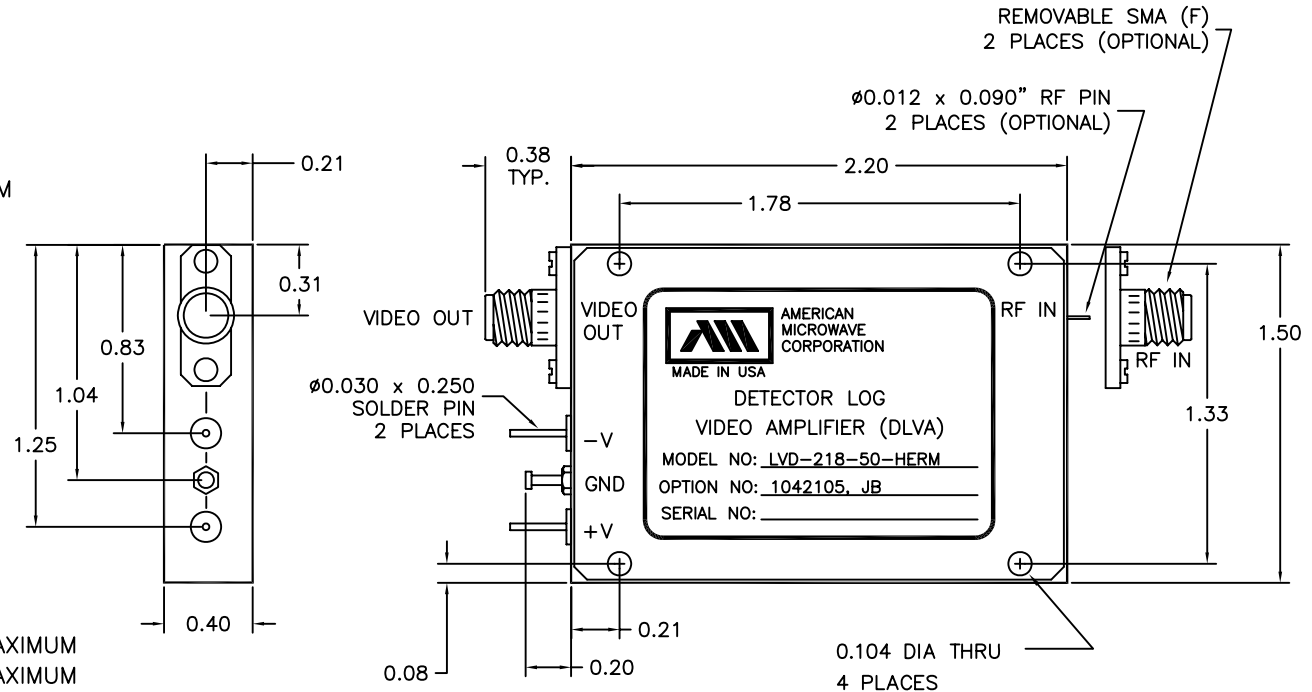
ENVIRONMENTAL RATINGS:

- TEMPERATURE: -54°C TO +85°C (OPERATING)
..... -65°C TO +100°C (STORAGE)
- HUMIDITY: MIL-STD-202F, METHOD 103B COND. B
- SHOCK: MIL-STD-202F, METHOD 213B COND. B
- VIBRATION: MIL-STD-202F, METHOD 204D COND. B
- ALTITUDE: MIL-STD-202F, METHOD 105C COND. B
- TEMPERATURE CYCLE: MIL-STD-202F, METHOD 107D COND. A

NOTE: SPECIFICATIONS WILL VARY OVER OPERATING TEMPERATURE
NOTE: THE ABOVE SPECIFICATIONS ARE SUBJECT TO CHANGE OR REVISION

ALL DIMENSIONS ARE IN INCHES
TOLERANCES:
X.XX ±0.020
X.XXX ±0.010

REVISIONS				
ZONE	REV.	DESCRIPTION	DATE	APPROVED
	-	ORIGINAL RELEASE JOB# D602044PE	5/3/06	



AMERICAN MICROWAVE CORPORATION

7311-G GROVE ROAD
FREDERICK, MARYLAND 21704 USA
TEL: 301-662-4700 FAX: 301-662-4938
WEBSITE: www.americanmicrowavecorp.com
E-MAIL: sales@americanmicrowavecorp.com
ISO 9001:2000 CERTIFIED

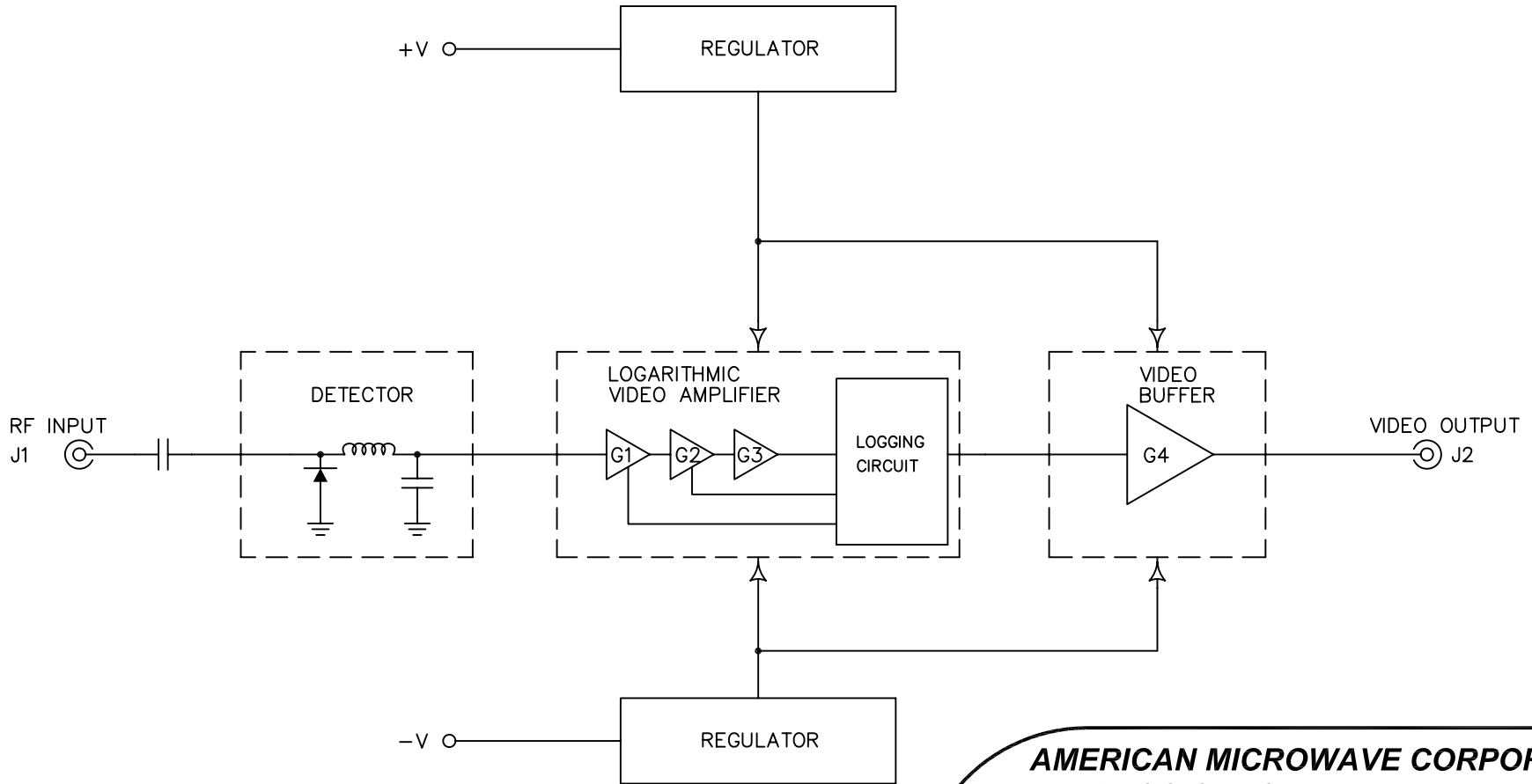


APPROVALS		DATE	TITLE		
DRAWN <i>JDJ</i>		5/3/06	PRODUCT FEATURE LVD-218-50-HERM OPTION: 1042105, JB 1.4-21.5 GHz DETECTOR LOG VIDEO AMPLIFIER		
CHECKED <i>RA</i>		4/2/07	SIZE	FSCM NO.	DWG NO.
ISSUED			A	60483	100-7644
			SCALE	SHEET	
			N:S	1 OF 3	

DESCRIPTION

AMC MODEL LVD-218-50-HERM OPTIONS: 1042105, JB IS A HERMETICALLY SEALED 50 dB DETECTOR LOG VIDEO AMPLIFIER DESIGNED FOR USE OVER THE FULL 1.4 TO 21.5 GHz FREQUENCY RANGE WITH TRUE DC COUPLING.

REVISIONS				
ZONE	REV.	DESCRIPTION	DATE	APPROVED
	-	ORIGINAL RELEASE JOB# D602044PE SPACE SYSTEMS LORAL, CA	5/3/06	



AMERICAN MICROWAVE CORPORATION

7311-G GROVE ROAD
 FREDERICK, MARYLAND 21704 USA
 TEL: 301-662-4700 FAX: 301-662-4938
 WEBSITE: www.americanmicrowavecorp.com
 E-MAIL: sales@americanmicrowavecorp.com
 ISO 9001:2000 CERTIFIED



CONFIDENTIAL AND PROPRIETARY

APPROVALS		DATE	TITLE			
DRAWN	<i>JDJ</i>	5/3/06	FUNCTIONAL SCHEMATIC LVD-218-50-HERM OPTION: 1042105, JB			
CHECKED	<i>RA</i>	4/2/07	SIZE	FSCM NO.	DWG NO.	REV.
ISSUED			A	60483	100-7644	-
			SCALE	N:S		SHEET 3 OF 3